

TECHNICAL DATA



PRO	CRI ≥ 80	
IP65		120 L°
100-277V 50/60Hz		50000h L70

**TYPE**

**BRAWNY LED** is the reflector that achieves the most advanced result in industrial, sporting and large area lighting. Human centric Lighting (Lighting applications that focus on human wellbeing) Aesthetically pleasing and energy-saving light that lasts in time.

**CHARACTERISTICS**

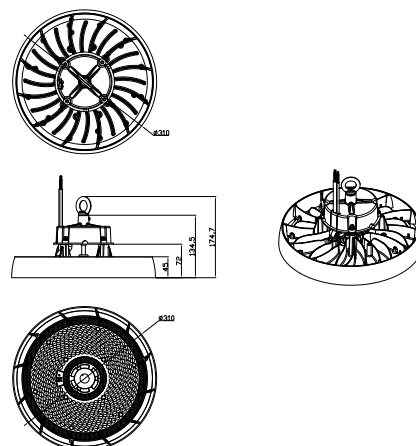
- Nomial efficacy: 163.52 Lm/W
- Maximum LED: 1000mA
- Lifetime L90B10: >50,000 hours
- Luminous flux and efficacy aht 4000°K
- Luminous flux tolerance <+/-3%
- Values may be subject to change du LED binning
- Driver cable length: 30cm
- High efficiency Ra>80 LED

**MATERIAL**

- Die-cast aluminium, Transparent 4mm tempred-Glass
- Aluminum frame
- Steel Galvanized and painted bracket

Model:	Brawny
Format:	Round
Location:	Interior
Wattage:	200W
Materials:	Alu+Glass
Led Color:	4000K - 5000K - 6500K
Product Dimension:	D310mm
IP Code:	65
Fixation:	Suspended
CRI :	80
Lumen Output:	32,425LM
Frequency:	50/60 Hz
Beam Angle:	120°
Option:	<b>3 POWERS:</b> 100/ 150 /200W
CCT & POWER selectable:	<b>3 CCT:</b> 4000/ 5000/ 5700K

DIMENSION DRAW



**INDOOR**